



GermBuster Luminaire

Powered By Sterilray™



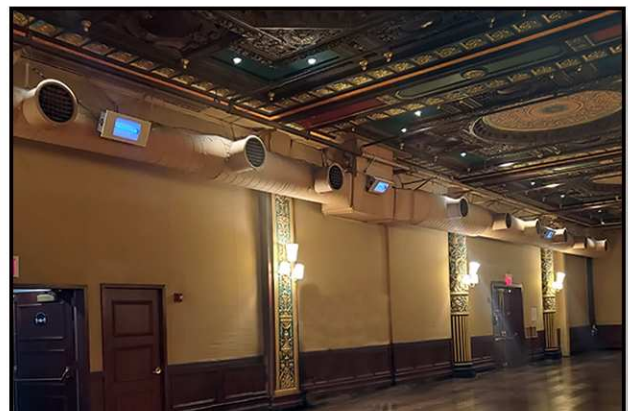
The GermBuster™ Luminaire produces 222nm Far-UV light that's safe for human exposure: as it is unable to deeply penetrate the protective outer layers of our skin and eyes. It is maintenance-free, environmentally friendly, pathogen deactivation.

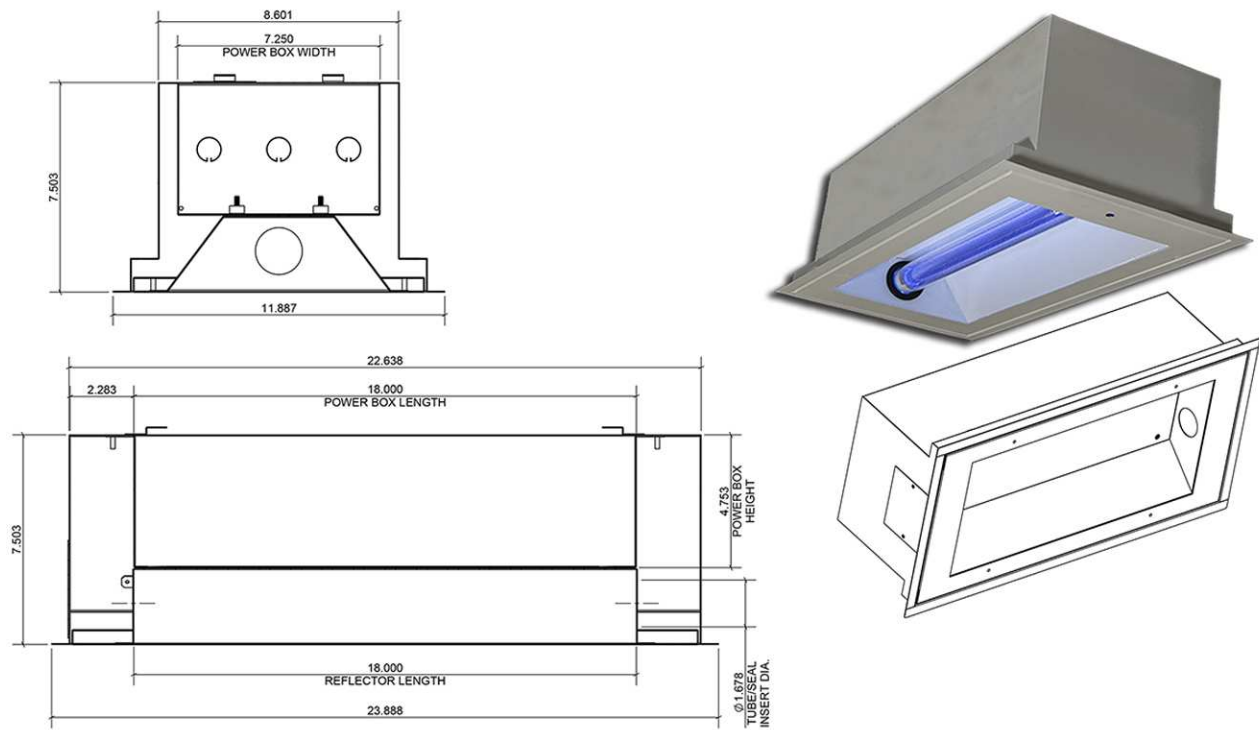
The GermBuster Luminaire commercial disinfection fixtures employ the cutting-edge Far-UV Sterilray™ technology to emit 222nm Far-UV light that adheres to stringent safety standards. Specifically engineered for occupied areas, these devices effectively combat harmful bacteria, viruses, mold, and fungi. This provides for hygienic and healthy indoor air quality. Experience air disinfection at the speed of light and continuous surface disinfection throughout the day with GermBuster Luminaire high-ceiling fixtures.

Purpose-built for continuous disinfection in occupied spaces:

- › **The world's first Far-UV technology** with a 30,000 hour lamp warranty.
- › **Instant on/off** at full output power, and frequent on/off cycles don't affect lamp life.
- › **Easy-to-use** – As easy to install as traditional commercial lighting fixtures with control via the web.
- › **Designed for** high-ceiling applications.
- › **Programmable** - Optional automated operation within the limits of current ACGIH and IEC guidelines.
- › **Fixtures are available** in virtually any finish to fit existing color schemes.
- › **Flexible leasing** options are available.

Cinemas | Corporate | Education | Government | Hospitality
Museums | Theme parks and indoor attractions | Retail
Sports venues | Public Transit | Houses of worship





GermBuster Luminaire 250/500w

Specifications

Physical

Lamp fixture dimensions (W x D x H)	23.888x11.887x7.503" (60.68x30.19x19.05cm)
Lamp fixture weight	29/35 lb
Lamp Length	18" (45.72cm)
Lamp surface area	531 cm ²
Operating temperature	40°~ +104°F (+5° ~ +40° C)
Operating humidity	10-85% RH
Mounting	In hung ceiling
Finish color	White/Multiple
Housing material	Powder coated aluminium

Electrical

Power supply	100-270V AC 50/60 Hz
Input power consumption	250/500w

Lamp

Lamp Technology	Far-UV 222nm Excimer
Beam Angle	160° by 45°
222nm Irradiance (1.27 cm from lamp)	3150 μW/cm ² /4850 μW/cm ²
Band pass filter	Not Necessary

Warranty

Power supply warranty	1 year parts and labor
Lamp life warranty (pro-rated)	30,000 hours